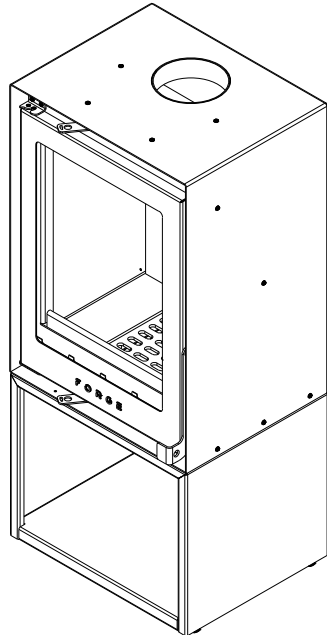
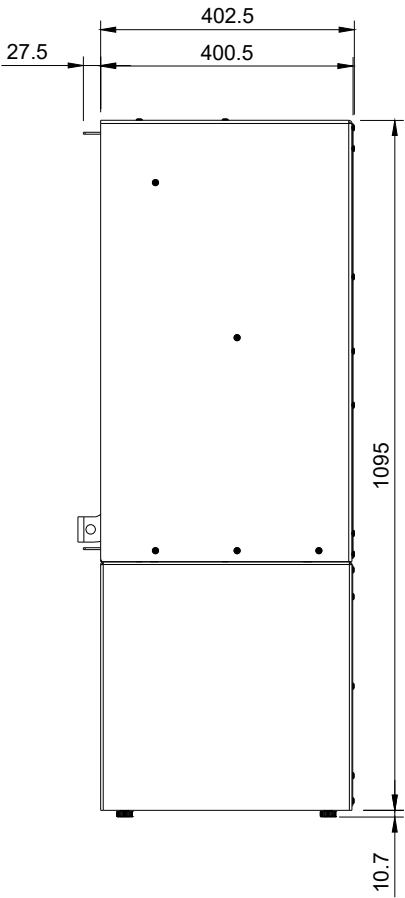
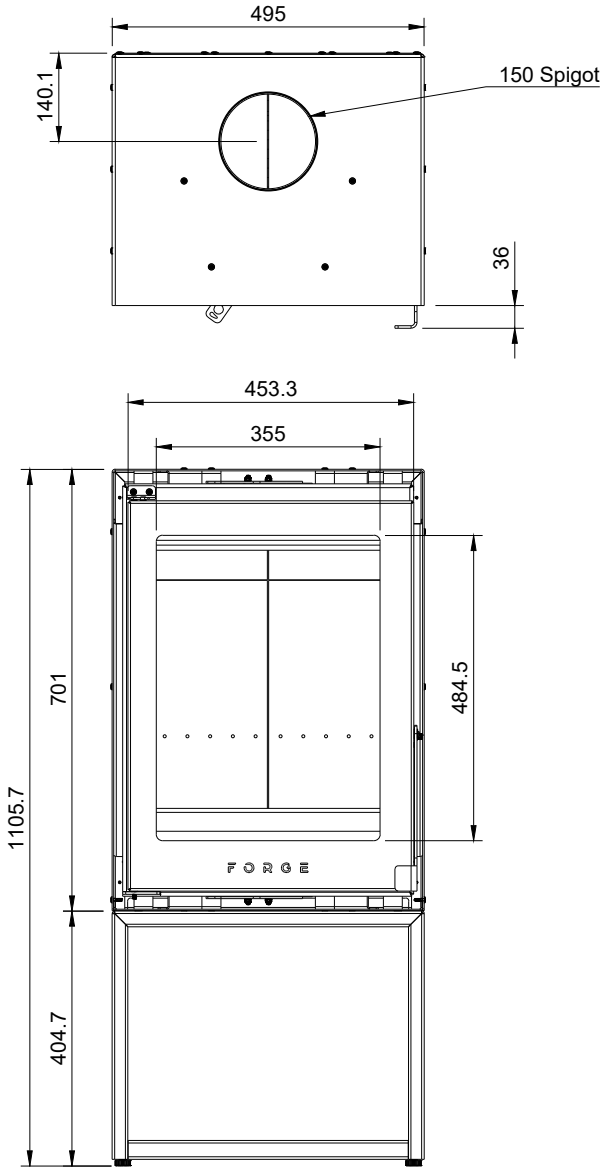


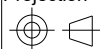
FORGE FIRES



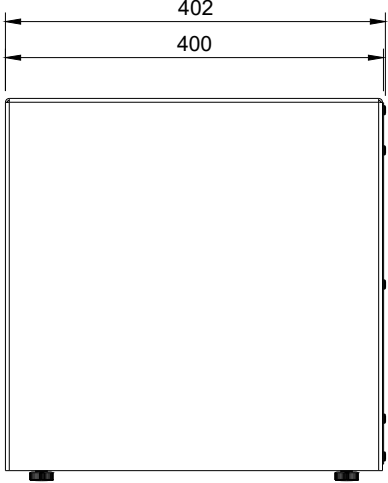
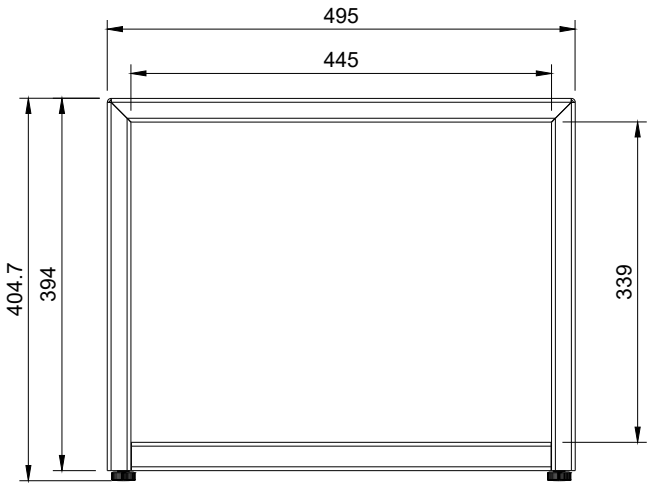
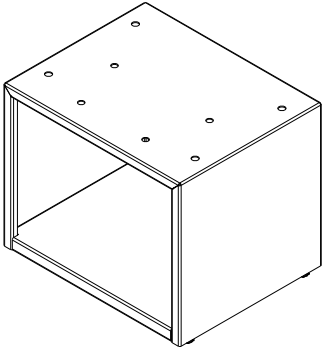
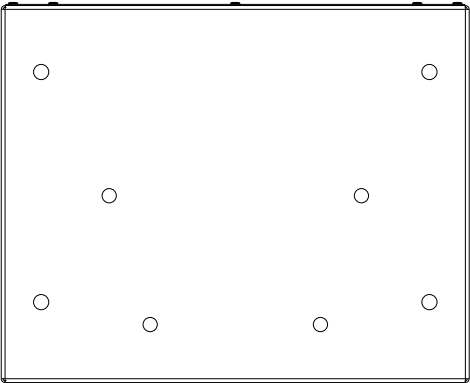
Forge F50 Freestanding with High Woodbox

FURFP-MS-SGL-500-WBH-W-CB v89

This drawing is copyright and remains the property of Signi Fires. It may not be retained, copied, or used without written consent.

Projection	Scale	Sheet	Creation Date
	1:12	A4	2025/04/15

FORGE FIRES



Forge F50 High Woodbox

FURFP-SGL-Wood Box ASM-0500-UP-CBA

This drawing is copyright and remains the property of Signi Fires. It may not be retained, copied, or used without written consent.

Projection	Scale	Sheet	Creation Date
	1:8	A4	2025/04/15