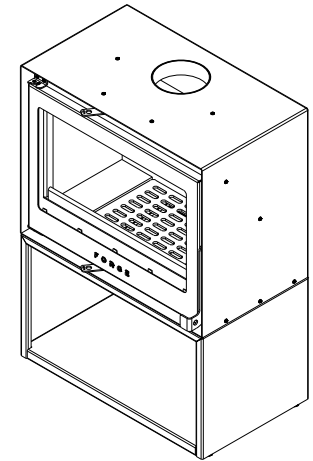


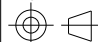
# FORGE FIRES



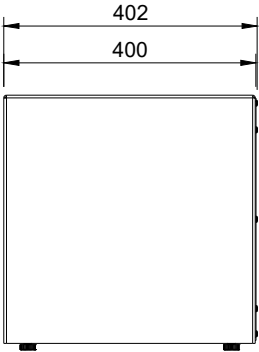
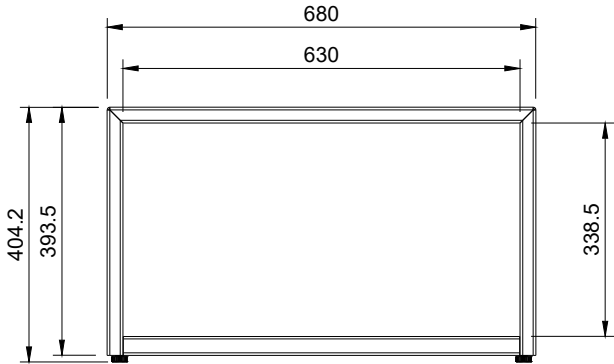
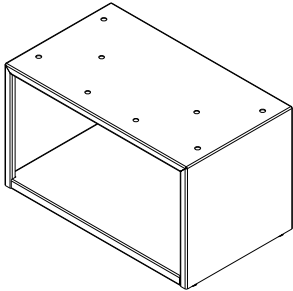
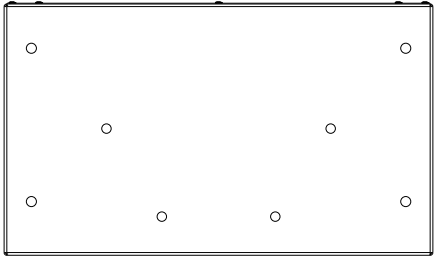
## Forge F70 Freestanding with High Woodbox

FIFP-MS-SGL-700-WBH-W-CB v9

This drawing is copyright and remains the property of Signi Fires. It may not be retained, copied, or used without written consent.

Projection	Scale	Sheet	Creation Date
	1:12	A4	2025/05/30

# FORGE FIRES



## Forge F70 High Woodbox

FIFP-MS-SGL-700-WBH-W-CB v41

This drawing is copyright and remains the property of Signi Fires. It may not be retained, copied, or used without written consent.

Projection	Scale	Sheet	Creation Date
	1:12	A4	2025/05/30