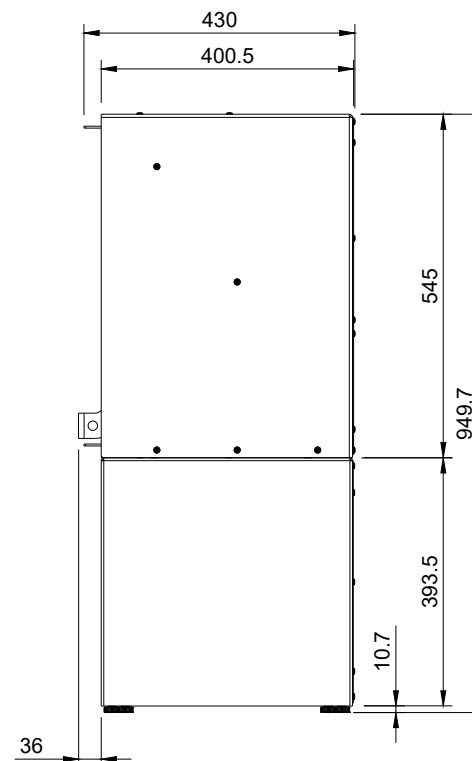
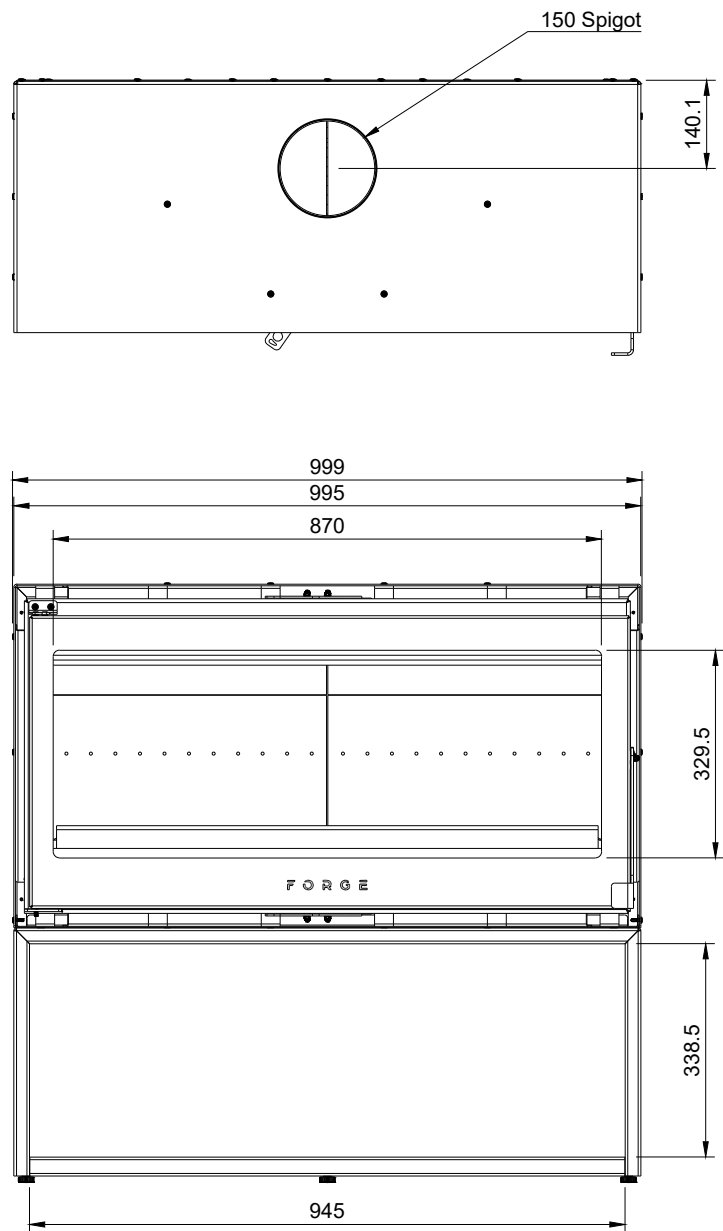
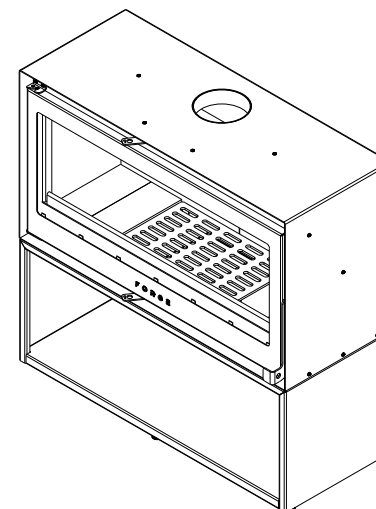


# FORGE FIRES



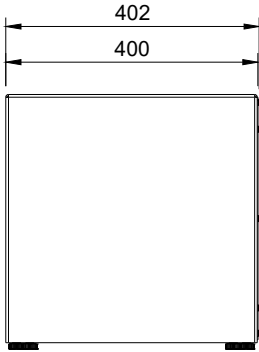
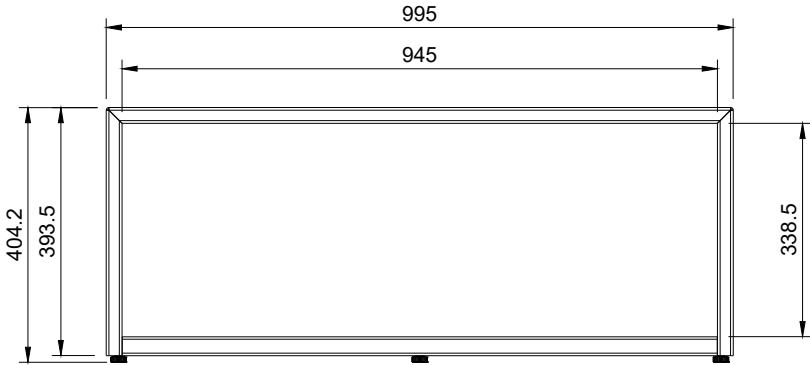
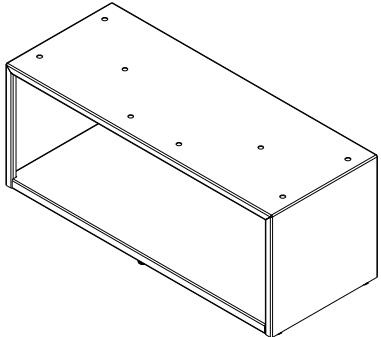
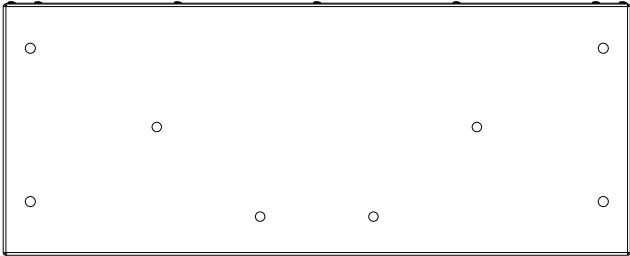
## Forge F100 Freestanding with High Woodbox

FIFP-MS-SGL-1000-WBH-W-CB v10

This drawing is copyright and remains the property of Signi Fires. It may not be retained, copied, or used without written consent.

Projection	Scale	Sheet	Creation Date
	1:12	A4	2025/05/30

# FORGE FIRES



## Forge F100 High Woodbox

FIFP-SGL-Wood Box ASM-0500-UP-CBA

This drawing is copyright and remains the property of Signi Fires. It may not be retained, copied, or used without written consent.

Projection	Scale	Sheet	Creation Date
	1:12	A4	2025/05/30