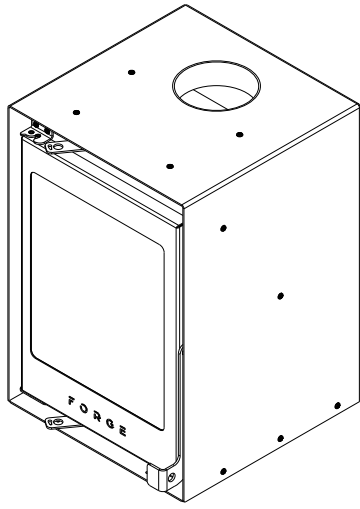
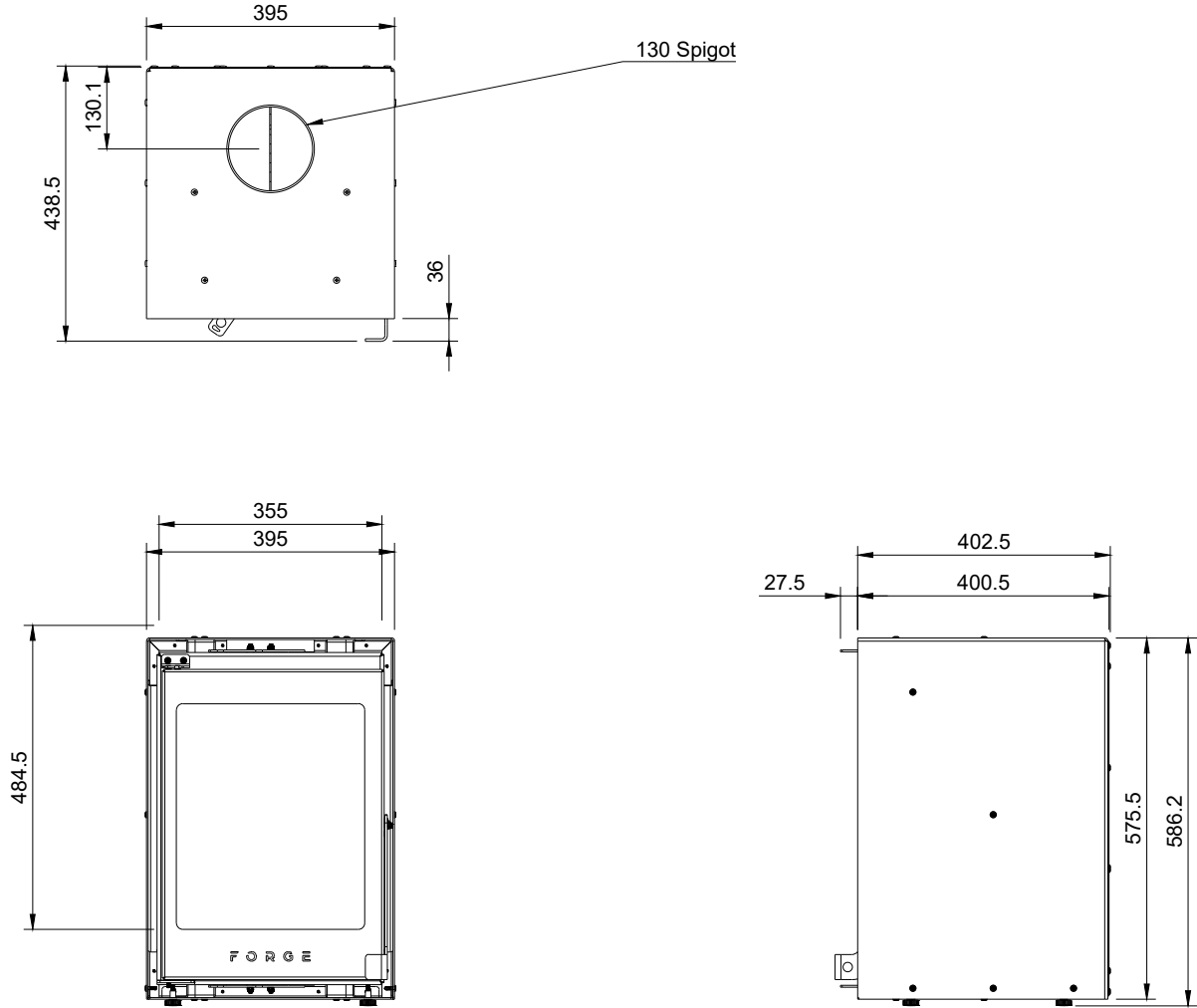


# FORGE FIRES



## Forge F40 Freestanding

FURFP-MS-SGL-400-FS-W-CB v22

This drawing is copyright and remains the property of Signi Fires. It may not be retained, copied, or used without written consent.

Projection	Scale	Sheet	Creation Date
	1:12	A4	2025/04/15